

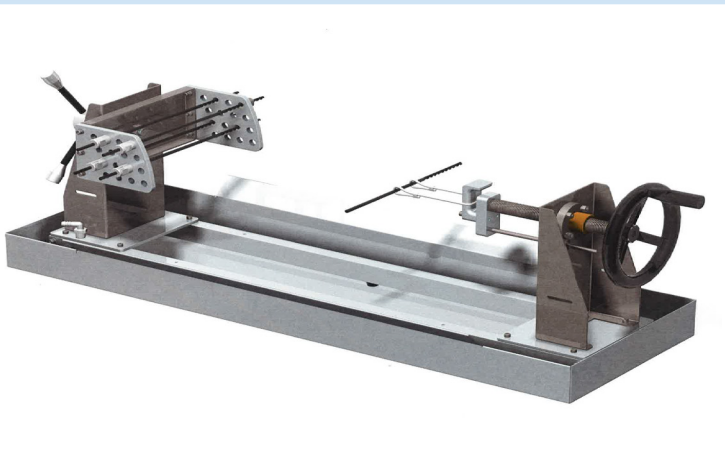


# HIP ARTHROSCOPY

## MEDSOURCE OFFERS A SOLUTION FOR HIP DISTRACTION IN THE BIOSKILLS LAB.



- **DYNAMIC** hassle-free locking and unlocking of the specimen position
- **MULTI-ALLOY DESIGN** for structural integrity, while minimizing overall weight
- **C-ARM COMPATIBLE:** Radiolucent material for shadow-free imaging
- Non-attached collecting pan, with integrated suction tubing bib at the clamping end, **SHORTENS CLEAN-UP TIME** and **IMPROVES OVERALL WORK PERFORMANCE**
- Unique guiding jigs are easily interchangeable between the 16 potential drill bit positions, making mounting of the pelvic girdle to the distractor quick and easy



- Ergonomic and simple locking handle design gives surgeon or technician the ability to **UNLOCK AND LOCK THE SPECIMEN POSITION WITH A SINGLE HAND**
- Long drill bits (3) are included to secure the pelvic girdle to the distractor clamp; a shorter bit and cable (2) are included for quick and precise turn handle distraction
- Tightening straps are included for **SECURE ATTACHMENT** of the distractor to the lab table
- Disinfection solution spray, cleaning brush and under-table fluid collection pad are included
- Arthroscopy tower, arthroscopes and instruments, shaver, Bovie, portable suction, fluid irrigation pump and IV pole are available

Call us at (888) 747-1190 and let us help you with your lab equipment needs!

Call Today  
(888) 747-1190

**MEDSource, Inc.**  
7002 South Revere Parkway, Suite 25  
Centennial, Colorado 80112  
(888) 747-1190 | (303) 750-5357  
sales@medsourcerental.com | www.medsourcerental.com

Visit Our Website  
**MEDSourceRental.com**